

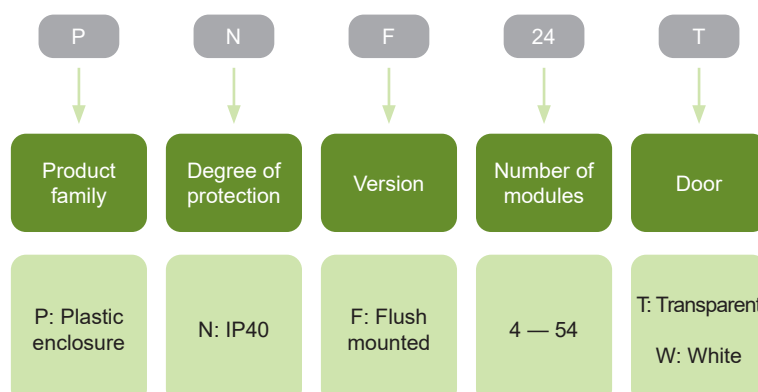
Flush-mounted IP40 Consumer Units PNF



- Flush-mounted consumer units PNF
- Degree of protection IP40
- 4 up to 54 modules
- 1 up to 4 rows
- Transparent or white door

Consumer units PNF are intended mainly for domestic applications. Their design is suitable for flush mounting. Scope of delivery consists of enclosure, door, device DIN rails, N + PE terminals, front cover with device cutout, cover for empty place, mounting material.

Type Key



Flush-mounted IP40 Consumer Units PNF

Consumer units PNF with transparent door

- Flush mounted version
- 4, 8, 12, 18 or 24 modules per row
- 1 up to 4 rows
- Scope of delivery: enclosure, door, device DIN rails, N + PE terminals, front cover with device cutout, cover for empty place, mounting material



N+PE terminals	Number of rows	Total modules	Article No.	Type	Packing
4+4	1	4	110818	PNF 4T	1
8+8	1	8	101511	PNF 8T	1
10+10	1	12	101512	PNF 12T	1
13+13	1	18	101513	PNF 18T	1
13+13	1	24	113773	PNF 1x24T	1
13+13	2	24	101514	PNF 24T	1
15+15	2	36	101515	PNF 2x18T	1
15+15	3	36	101516	PNF 36T	1
20+20	4	48	113772	PNF 48T	1
26+26	3	54	106198	PNF 3x18T	1

Consumer units PNF with white door

- Flush mounted version
- 4, 8, 12, 18 or 24 modules per row
- 1 up to 4 rows
- Scope of delivery: enclosure, door, device DIN rails, N + PE terminals, front cover with device cutout, cover for empty place, mounting material



N+PE terminals	Number of rows	Total modules	Article No.	Type	Packing
4+4	1	4	110819	PNF 4W	1
8+8	1	8	101517	PNF 8W	1
10+10	1	12	101518	PNF 12W	1
13+13	1	18	101519	PNF 18W	1
13+13	1	24	113775	PNF 1x24W	1
13+13	2	24	101520	PNF 24W	1
15+15	2	36	101521	PNF 2x18W	1
15+15	3	36	101522	PNF 36W	1
20+20	4	48	113774	PNF 48W	1
26+26	3	54	106199	PNF 3x18W	1

Technical Data PNF

Plastic consumer units, IP40, flush mounted

General parameters

Consumer units for domestic applications mainly

Flush mounted version

Scope of delivery: enclosure, door, device DIN rails, N + PE terminals, front cover with device cutout, cover for empty place, mounting material

Electrical parameters

Tested according to	EN 60670, EN 62208
Rated operational voltage	400 V AC 1000 V DC
Rated current	63A
Rated frequency	50 Hz
Degree of protection	IP40
Protection class	II
Maximum power dissipation of all installed devices at ambient temperature 30 °C	
PNF 4T / PNF 4W	10 W
PNF 8T / PNF 8W	16 W
PNF 12T / PNF 12W	25 W
PNF 18T / PNF 18W	25 W
PNF 1x24T / PNF 1x24W	30 W
PNF 24T / PNF 24W	30 W
PNF 2x18T / PNF 2x18W	30 W
PNF 36T / PNF 36W	30 W
PNF 48T / PNF 48W	35 W
PNF 3x18T / PNF 3x18W	35 W

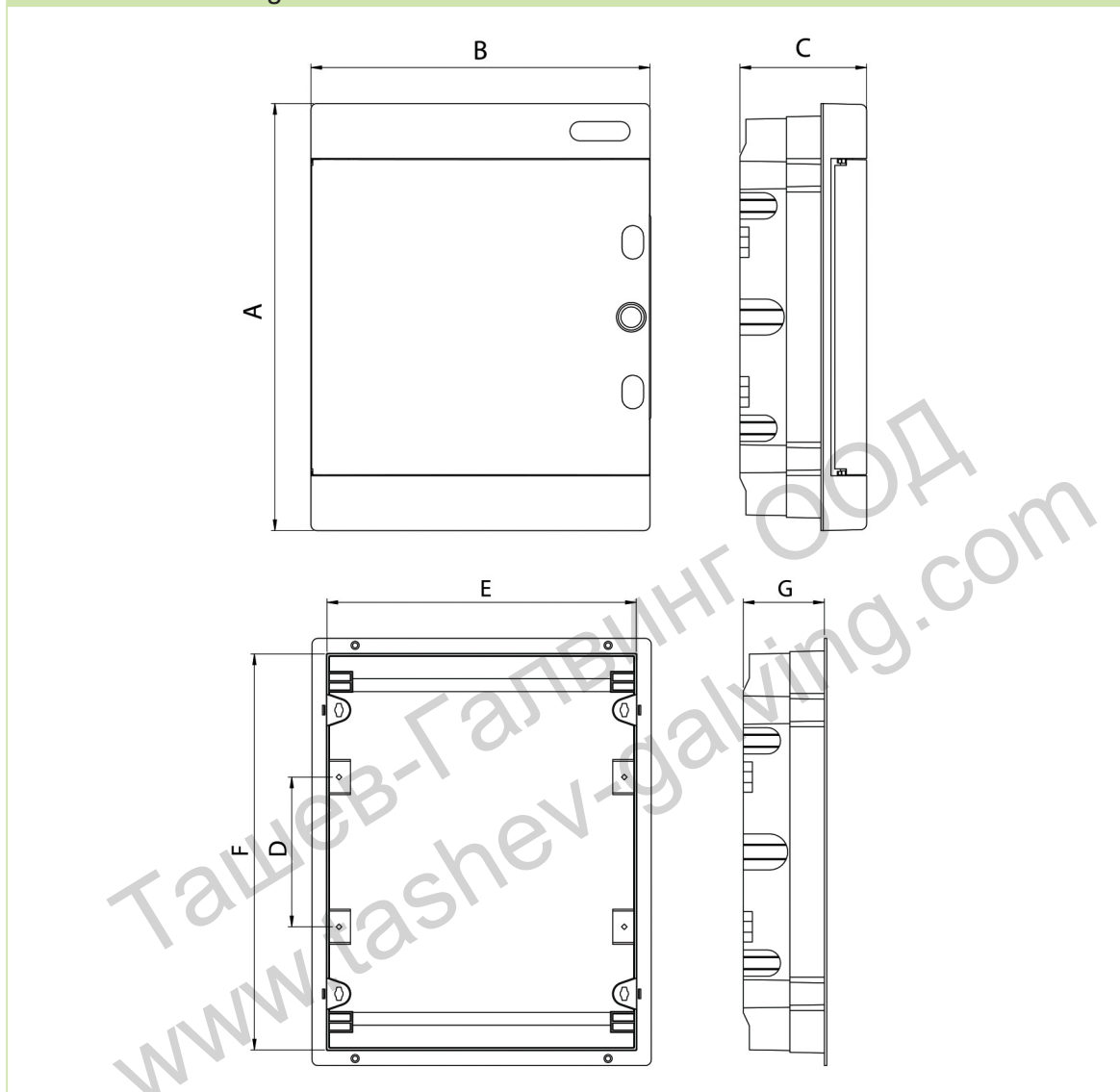
Mechanical parameters

Glow-wire test	650 °C
Mechanical impact resistance	IK07
Used plastics	Halogen-free
Body color	RAL9003
Operating temperature	-25°C – +60°C
Material	Acrylonitrile butadiene styrene

Technical Data PNF

Plastic consumer units, IP40, flush mounted

Dimensional drawings



Dimensions

Type	Dimensions [mm]						
	A	B	C	D	E	F	G
PNF 4T / PNF 4W	232	139	99	—	123	216	69
PNF 8T / PNF 8W	232	211	99	—	201	212	68
PNF 12T / PNF 12W	232	283	106	—	273	212	68
PNF 18T / PNF 18W	232	392	106	—	382	212	68
PNF 1x24T / PNF 1x24W	500	255	106	125	489	235	68
PNF 24T / PNF 24W	357	283	106	125	273	336	68
PNF 2x18T / PNF 2x18W	357	392	106	125	382	336	68
PNF 36T / PNF 36W	482	283	106	125	273	462	68
PNF 48T / PNF 48W	676	283	106	125	273	656	68
PNF 3x18T / PNF 3x18W	522	392	106	125	382	502	68